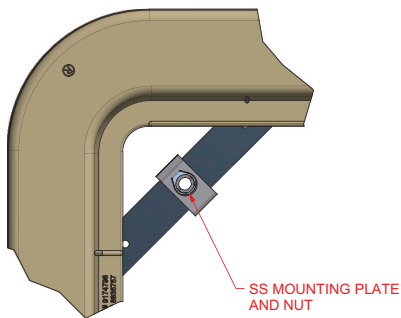
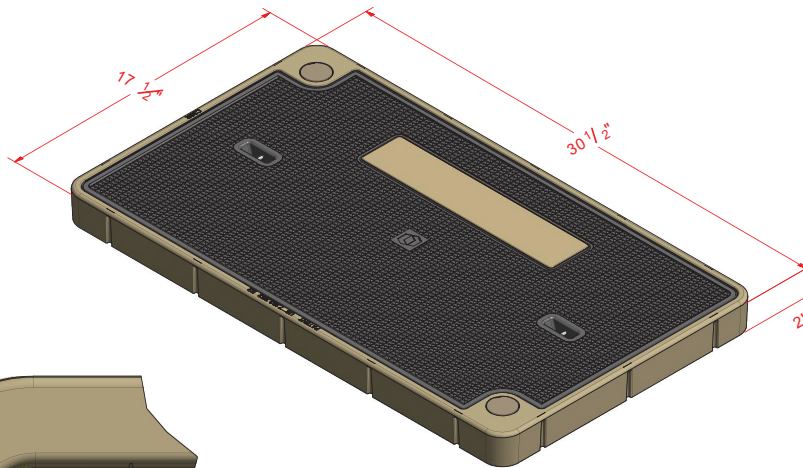
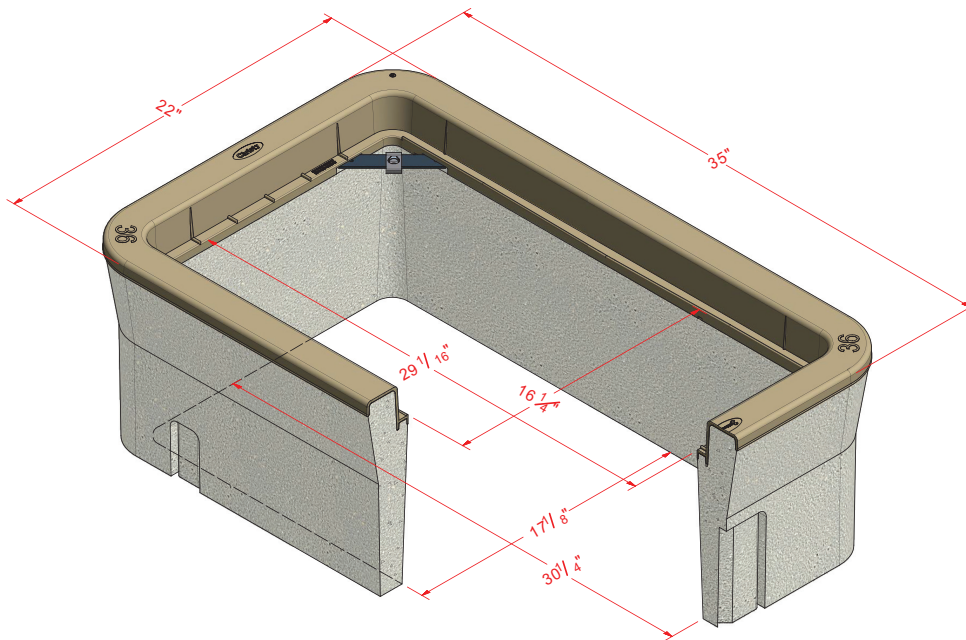


N36



Bolt Down Detail



COVER:
 Style: Flush
 Material: Composite with UV Inhibitor
 Model: 17" x 30"
 Weight: 76 lbs
 Options: Special Markings
 Surface: Skid Resistant & Marked*
 Coefficient of Friction: >0.6 ASTM 1028
 Performance: ASTM C 857, WUC 3.6

BODY:
 Material: Reinforced Concrete with Composite Cap
 Model: 22" x 35"
 Weight: 172 lbs
 Wall Type: Straight
 Mouseholes: 0 - 2
 Performance: ASTM C 857, WUC 3.6

EXTENSION:
 Material: Reinforced Concrete
 Depth: 12"
 Weight: 189 lbs



Light Duty:
Pedestrian Only

Actual load rating is determined by the box and cover combination. Weights and dimensions may vary slightly.
 Rev 12/2016 ©2016 Oldcastle, Inc.

Contact your Oldcastle Enclosure Solutions Distribution Center for specific information and additional options.

N36

Options:

R-Series Covers:

- Flush Solid
- Bolt Down Locking Available

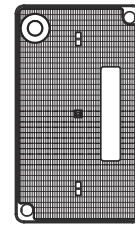
Steel Checker Plate Covers:

- Flush Solid
- Galvanizing Available

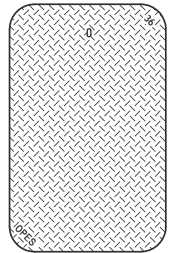
Add On Options:

- EMS Marker
- Lid Gaskets*

*Lid Gaskets inhibit water flow into the box,
they do not make Enclosure fully waterproof.



R-Series



Steel

**Product Load
Rating:**



Light Duty : Pedestrian Only

Note:

Actual load rating is determined by the box and cover combination. Weights and dimensions may vary slightly
All information contained on this sheet is current at the time of printing.
Oldcastle Precast, Inc. reserves the right to discontinue or update product information without notice.



Rev 12/2016 ©2016 Oldcastle, Inc.